

SEASONAL DISHES

spicy chicken sandwich [10]

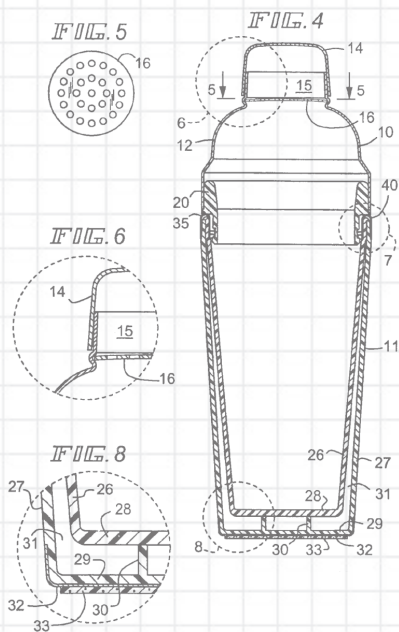
spicy hand-breaded chicken breast
ghost chili aioli . house pickles

rosemary pork ribeye [16]

rosemary butter . mashed potatoes
green beans . fried pickled red onions

flourless chocolate cake [8] ☯

house whipped cream
amarena cherry sauce



HAPPY HOUR
DRAFT & FEATURE COCKTAILS

AVAILABLE FOR
[\$3.95 AT 3PM]
[\$4.95 AT 4PM]
[\$5.95 AT 5PM]

DRAFT COCKTAILS

vero mango margarita [9]

cimarron blanco tequila
jalapeño-mango syrup
cointreau . fresh lime
[cocktail style: margarita]

sweet spiced

perfect margarita [9]

mi campo reposado
cointreau . grand marnier
fresh sweet & sour

classic saucy

ne'w' fashion [8]

rye whiskey . bitters
simple syrup . orange zest
luxardo rinse
[cocktail style: old fashioned]

classic contemporary

SOFTAILS

pub w eote coffee [3.50]

mango no. 5 [4]
mango puree . lime
mint . ginger

topo chico [3]

FEATURE COCKTAILS

barrel aged manhattan [10]

pub w private selection
woodford bourbon
dolin rouge . aromatic bitters

classic bold

abominable snowman* [9]

weller special reserve
st elizabeth allspice dram
vanilla-spiced syrup . cream
egg white . torched cinnamon

fall spice something nice

ombré* [10]

old forester 100 . fresh lemon
simple syrup . egg white
spiced red wine
[cocktail style: whiskey sour]

tart dry

fizzo [8]

turmeon blanco vermouth
bitters . simple syrup
bubbles

[cocktail style: champagne cocktail]

fizzy sweet

pineapple express [8]

stoli crushed pineapple
st elizabeth allspice dram
fresh lime . ginger beer
[cocktail style: mule]

spice tropical

ranch water [8]

el jimador blanco tequila
topo chico . lime

refreshing trouble



Instagram Facebook @pubw #pubdub pubdub.com

ATTN: Individuals may be at a higher risk for a foodborne illness if the following foods are consumed raw or under cooked: eggs, beef, fish, lamb, milk products, pork, poultry & shell fish*

ON TAP

OKLAHOMIES


ask server	neff specialty rotator	
lager	nine band t-town lager	4.3%
helles lager	marshall this land	4.8%
kolsch	cabin boys cast-a-line	4.8%
kolsch	black mesa mountain boomer	5.1%
blonde	dead armadillo tulsa flag	5.5%
witbier	stonecloud neon sunshine	5.5%
hefeweizen	renaissance indian wheat	4.8%
saison	cabin boys cornerstone	6.2%
pale ale	rougtail frickin' hazer beams	5.5%
ipa	stonecloud astrodog	6.0%
ipa	rougtail e.r.w.o.	6.5%
ipa	coop f5	7.1%
double ipa	elk valley head pains	8.2%
double ipa	vanessa house broken tile	8.4%
wild ipa	american solera foederville	6.2%
belgian quad	cabin boys bearded theologian	8.4%
stout	iron monk milk stout	6.0%
imperial stout	prairie bomb!	13.0%
wild ale	prairie vape tricks	5.9%

ASK ABOUT OUR DRAFT ROTATORS


4oz. DRAFT POURS ARE AVAILABLE



THE OTHER GUYS

lager	coors light	4.0%
lager	Michelob ultra	4.2%
lager	pabst blue ribbon	4.7%
mexican lager	modelo especial	4.4%
witbier	blue moon	5.4%
irish dry stout	guinness draught	4.2%
cider	austin eastcider's orig. 	5.0%

BOTTLES & CANS

gas station	4.0%	bud light	ipa/pale ale	5.4%	stonecloud chug norris [local]
	4.0%	coors light			
	4.0%	coors original			
	4.0%	miller lite	amber/stout	4.8%	marshall dunkel
	5.0%	stella artois		4.9%	anchor steam
lager	4.6%	corona extra		5.3%	big sky moose drool
	4.6%	corona premier		10.0%	coop dnr [local]
	4.5%	pacifico		10.0%	st. bernardus abt 12
	5.1%	vanessa house 401k [local]		9.0%	chimay blue*
				5.0%	renaissance black gold 16oz. [local]
golden	5.2%	deep ellum dallas blonde	cider/sour/	5.0%	strongbow 
	8.5%	duvel golden	seltzer	6.0%	duchesse de bourgogne
	7.0%	revolver blood & honey		5.0%	neff raspberry pride [local]
	4.7%	marshall sundown wheat		5.0%	will & wiley cherry-lime [local]

HOUSE WINE

silver gate vineyards [7]
cabernet sauvignon . chardonnay

SPARKLING

chadon brut [10/36]
california brut / napa

ruffino [15]
prosecco [375ml bottle only] / italy

WHITE

kendall jackson [10/40]
chardonnay / california

levit8 [11/40]
chardonnay / trinity county

sauvion [10/36]
chenin blanc / france

seaglass [10/34]
sauvignon blanc / santa barbara

relax [10/30]
riesling / germany

chloe [9/32]
rosé / california

RED

levit8 [13/50]
cabernet sauvignon / trinity county

treana [15/55]
cabernet sauvignon / paso robles

titus [70]
cabernet franc [bottle only] / napa valley

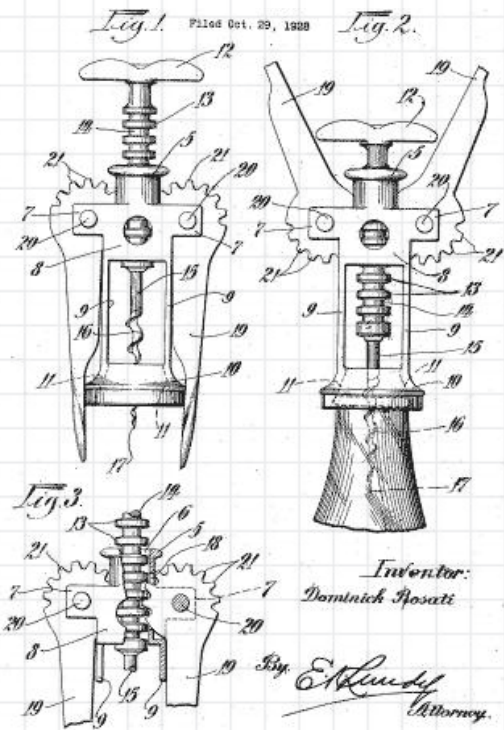
robert mondavi private selection [11/40]
merlot / california

trapiche [10/34]
malbec / mendoza

wildflower [10/36]
pinot noir / france

dreaming tree [12/40]
pinot noir / california

the biker [10/36]
zinfandel / california



"Wine is sunlight, held
together by water" - GALILEO