

SEASONAL DISHES

spicy chicken sandwich [10]

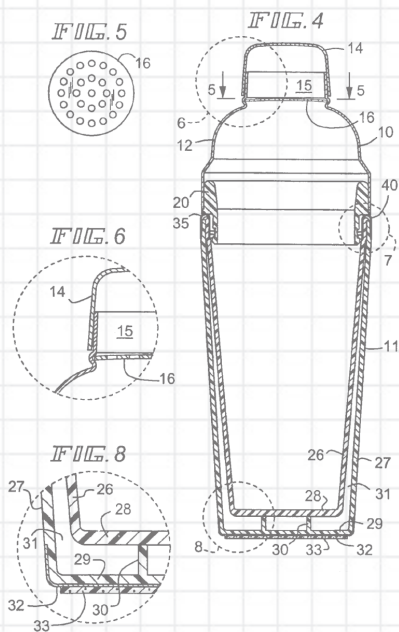
spicy hand-breaded chicken breast
ghost chili aioli . house pickles

rosemary pork ribeye [16]

rosemary butter . mashed potatoes
green beans . fried pickled red onions

flourless chocolate cake [8]

house whipped cream
amarena cherry sauce



HAPPY HOUR
DRAFT & FEATURE COCKTAILS

AVAILABLE FOR
[\$3.95 AT 3PM]
[\$4.95 AT 4PM]
[\$5.95 AT 5PM]

DRAFT COCKTAILS

vero mango margarita [9]

cimarron blanco tequila
jalapeño-mango syrup
cointreau . fresh lime
[cocktail style: margarita]

sweet spiced

perfect margarita [9]

mi campo reposado
cointreau . grand marnier
fresh sweet & sour

classic saucy

ne'w' fashion [8]

rye whiskey . bitters
simple syrup . orange zest
luxardo rinse
[cocktail style: old fashioned]

classic contemporary

SOFTAILS

pub w eote coffee [3.50]

mango no. 5 [4]
mango puree . lime
mint . ginger

topo chico [3]

FEATURE COCKTAILS

barrel aged manhattan [10]

pub w private selection
woodford bourbon
dolin rouge . aromatic bitters

classic bold

abominable snowman* [9]

weller special reserve
st elizabeth allspice dram
vanilla-spiced syrup . cream
egg white . torched cinnamon

fall spice something nice

ombré* [10]

old forester 100 . fresh lemon
simple syrup . egg white
spiced red wine
[cocktail style: whiskey sour]

tart dry

fizzo [8]

turmeon blanco vermouth
bitters . simple syrup
bubbles

[cocktail style: champagne cocktail]

fizzy sweet

pineapple express [8]

stoli crushed pineapple
st elizabeth allspice dram
fresh lime . ginger beer
[cocktail style: mule]

spice tropical

ranch water [8]

el jimador blanco tequila
topo chico . lime

refreshing trouble



  @pubw #pubdub pubdub.com

ATTN: Individuals may be at a higher risk for a foodborne illness if the following foods are consumed raw or under cooked: eggs, beef, fish, lamb, milk products, pork, poultry & shell fish*

ON TAP



OKLAHOMIES

kolsch	black mesa mountain boomer	5.1%
cream ale	vanessa house 401k	5.1%
blonde ale	405 nite lite	4.5%
belgian wit	stonecloud neon sunshine	5.5%
hefeweizen	coop elevator wheat	5.6%
pale ale	rougtail frickin' hazer beams	5.5%
ipa	stonecloud astrodog	6.0%
ipa	rougtail e.r.w.o.	6.5%
double ipa	elk valley head pains	8.2%
double ipa	vanessa house broken tile	8.4%
amber	405 rbf	6.0%
strong ale	coop dnr	10.0%
imperial stout	prairie bomb!	13.0%

ASK ABOUT OUR
DRAFT ROTATORS

4oz. DRAFT POURS
ARE AVAILABLE

THE OTHER GUYS

lager	coors light	4.0%
lager	pabst blue ribbon	4.7%
mexican lager	dos xx special lager	4.3%
irish dry stout	guinness draught	4.2%

BOTTLES & CANS

gas station	4.0%	bud light	pale/ipa	7.1%	coop f5 [local]
	4.0%	budweiser		8.2%	elk valley magic juice [local]
	4.0%	coors light		5.2%	cabin boys going stag [local]
	4.0%	coors original			
	4.0%	micheLOB ultra			
	4.0%	miller lite			
lager	5.0%	stella artois	amber/stout	5.3%	big sky moose drool
	4.6%	corona extra		4.0%	new belgium fat tire
	4.0%	corona premier		5.0%	angry scotsman rusty kiltpin [local]
	4.4%	modelo especial		8.0%	oskar blues old chub
	5.4%	negra modelo		9.0%	chimay blue*
	4.5%	pacifico		10.0%	st. bernardus abt 12
	6.2%	coop saturday siren [local]		8.5%	anthem uroboros [local]
	5.2%	angry scotsman gateway to helles [local]		6.0%	iron monk milk stout [local]
	5.0%	lively beerworks amber lager [local]	cider/sour/ seltzer	5.0%	strongbow (GF)
golden	6.8%	anthem golden one [local]		5.0%	austin eastciders pineapple (GF)
	8.5%	duvel golden		6.0%	duchesse de bourgogne*
	4.5%	boulevard wheat		4.9%	dogfish head seaquench
	5.4%	blue moon		4.9%	rougtail road toad [local]
	5.2%	prairie standard [local]		4.5%	dead armadillo pickle recovery [local]
				4.5%	vanessa house 11:09 [local]
				5.0%	will & wiley cherry-lime [local]

HOUSE WINE

silver gate vineyards [7]
cabernet sauvignon . chardonnay

SPARKLING

chadon brut [10/36]
california brut / napa

ruffino [15]
prosecco [375ml bottle only] / italy

WHITE

kendall jackson [10/40]
chardonnay / california

levit8 [11/40]
chardonnay / trinity county

sauvion [10/36]
chenin blanc / france

seaglass [10/34]
sauvignon blanc / santa barbara

relax [10/30]
riesling / germany

chloe [9/32]
rosé / california

RED

levit8 [13/50]
cabernet sauvignon / trinity county

treana [15/55]
cabernet sauvignon / paso robles

titus [70]
cabernet franc [bottle only] / napa valley

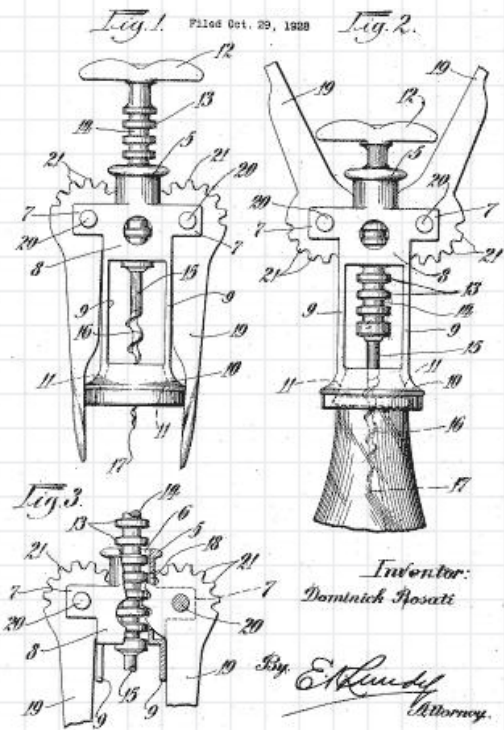
robert mondavi private selection [11/40]
merlot / california

trapiche [10/34]
malbec / mendoza

wildflower [10/36]
pinot noir / france

dreaming tree [12/40]
pinot noir / california

the biker [10/36]
zinfandel / california



"Wine is sunlight, held
together by water" - GALILEO