

SEASONAL DISHES

spicy chicken sandwich [10]

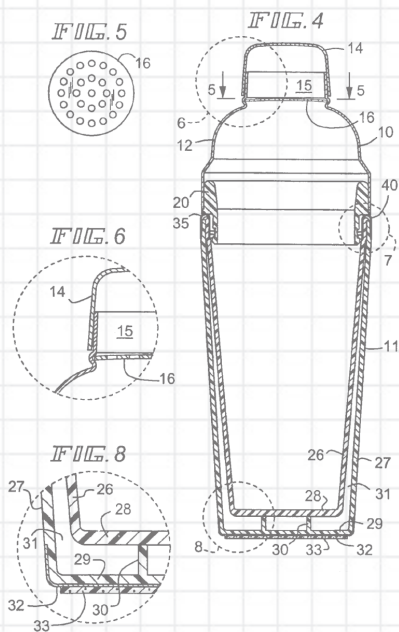
spicy hand-breaded chicken breast
ghost chili aioli . house pickles

rosemary pork ribeye [16]

rosemary butter . mashed potatoes
green beans . fried pickled red onions

flourless chocolate cake [8] ☯

house whipped cream
amarena cherry sauce



HAPPY HOUR
DRAFT & FEATURE COCKTAILS

AVAILABLE FOR
[\$3.95 AT 3PM]
[\$4.95 AT 4PM]
[\$5.95 AT 5PM]

DRAFT COCKTAILS

vero mango margarita [9]

cimarron blanco tequila
jalapeño-mango syrup
cointreau . fresh lime
[cocktail style: margarita]

sweet spiced

perfect margarita [9]

mi campo reposado
cointreau . grand marnier
fresh sweet & sour

classic saucy

ne'w' fashion [8]

rye whiskey . bitters
simple syrup . orange zest
luxardo rinse
[cocktail style: old fashioned]

classic contemporary

SOFTAILS

pub w eote coffee [3.50]

mango no. 5 [4]
mango puree . lime
mint . ginger

topo chico [3]

FEATURE COCKTAILS

barrel aged manhattan [10]

pub w private selection
woodford bourbon
dolin rouge . aromatic bitters

classic bold

abominable snowman* [9]

weller special reserve
st elizabeth allspice dram
vanilla-spiced syrup . cream
egg white . torched cinnamon

fall spice something nice

ombré* [10]

old forester 100 . fresh lemon
simple syrup . egg white
spiced red wine
[cocktail style: whiskey sour]

tart dry

fizzo [8]

turmeon blanco vermouth
bitters . simple syrup
bubbles

[cocktail style: champagne cocktail]

fizzy sweet

pineapple express [8]

stoli crushed pineapple
st elizabeth allspice dram
fresh lime . ginger beer
[cocktail style: mule]

spice tropical

ranch water [8]

el jimador blanco tequila
topo chico . lime

refreshing trouble



Instagram Facebook @pubw #pubdub pubdub.com

ATTN: Individuals may be at a higher risk for a foodborne illness if the following foods are consumed raw or under cooked: eggs, beef, fish, lamb, milk products, pork, poultry & shell fish*

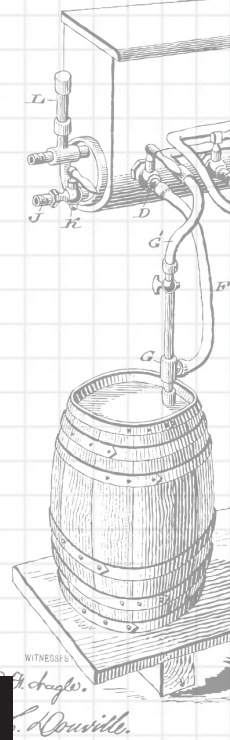
ON TAP

OKLAHOMIES


pilsner	stonecloud havana affair	4.6%
pilsner	heirloom rustic ales pontoon	4.8%
pilsner	coop saturday siren	5.5%
lager	lively beerworks amber lager	5.0%
cream ale	vanessa house 401k	5.1%
witbier	stonecloud neon sunshine	5.5%
hefeweizen	coop elevator wheat	5.6%
pale ale	rougtail frickin' hazer beams	5.5%
ipa	stonecloud astrodog	6.0%
ipa	rougtail e.r.w.o.	6.5%
double ipa	elk valley head pains	6.8%
double ipa	vanessa house broken tile	8.4%
amber	405 rbf	6.0%
scotch ale	angry scotsman rusty kiltpin	5.2%
belgian quad	cabin boys bearded theologian	8.4%
strong ale	coop dnr	10.0%
stout	elk valley coffee nemesis	9.0%
imperial stout	prairie bomb!	13.0%
wild ale	prairie rainbow sherbet	5.2%
wild ale	prairie vape tricks	5.9%

ASK ABOUT OUR
DRAFT ROTATORS


4 oz. DRAFT POURS
ARE AVAILABLE



THE OTHER GUYS

lager	micelob ultra	4.2%
lager	pabst blue ribbon	4.7%
european lager	stella artois	5.0%
mexican lager	modelo especial	4.4%
witbier	blue moon	5.4%
tripel	unibroue la fin du monde	9.0%
brown ale	cigar city maduro	5.5%
irish dry stout	guinness draught	4.2%
cider	strongbow 	5.0%

BOTTLES & CANS

gas station	4.0%	bud light	ipa/pale ale	6.2%	lagunitas ipa
	4.0%	budweiser		7.1%	coop f5 [local]
	4.0%	coors original			
	4.0%	coors light			
	4.0%	micelob ultra			
	4.0%	miller lite			
lager	4.6%	corona extra	amber/stout	5.3%	big sky moose drool
	5.4%	negra modelo		9.0%	chimay blue*
	4.5%	pacifico		8.5%	delirium tremens
	4.6%	kona longboard		6.0%	iron monk milk stout [local]
golden	6.9%	anthem golden one	cider/sour/ seltzer	5.2%	austin eastciders texas honey 
	8.5%	duvel golden		4.9%	dogfish head seaquench
	4.5%	boulevard wheat		6.0%	duchesse de bourgogne
	8.5%	boulevard tank 7		5.0%	will & wiley cherry-lime [local]

 **gluten-free**

*due to limited availability or high cost of an item, all sales final

ATTN: Individuals may be at a higher risk for a foodborne illness if the following foods are consumed raw or under cooked: eggs, beef, fish, lamb, milk products, pork, poultry & shell fish*

HOUSE WINE

silver gate vineyards [7]
cabernet sauvignon . chardonnay

SPARKLING

chadon brut [10/36]
california brut / napa

ruffino [15]
prosecco [375ml bottle only] / italy

WHITE

kendall jackson [10/40]
chardonnay / california

levit8 [11/40]
chardonnay / trinity county

sauvion [10/36]
chenin blanc / france

seaglass [10/34]
sauvignon blanc / santa barbara

relax [10/30]
riesling / germany

chloe [9/32]
rosé / california

RED

levit8 [13/50]
cabernet sauvignon / trinity county

treana [15/55]
cabernet sauvignon / paso robles

titus [70]
cabernet franc [bottle only] / napa valley

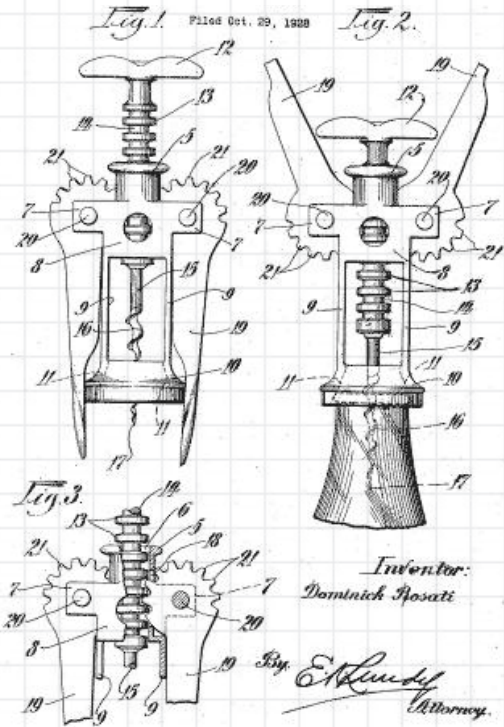
robert mondavi private selection [11/40]
merlot / california

trapiche [10/34]
malbec / mendoza

wildflower [10/36]
pinot noir / france

dreaming tree [12/40]
pinot noir / california

the biker [10/36]
zinfandel / california



"Wine is sunlight, held
together by water" - GALILEO