

# SEASONAL DISHES

## spicy chicken sandwich [10]

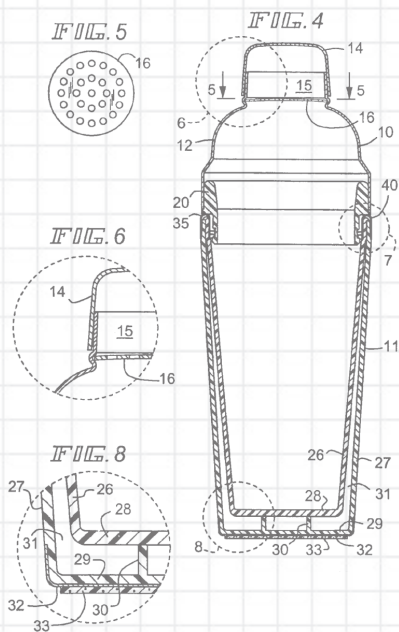
spicy hand-breaded chicken breast  
ghost chili aioli . house pickles

## rosemary pork ribeye [16]

rosemary butter . mashed potatoes  
green beans . fried pickled red onions

## flourless chocolate cake [8] ☯

house whipped cream  
amarena cherry sauce



**HAPPY HOUR**  
DRAFT & FEATURE COCKTAILS

AVAILABLE FOR  
[\$3.95 AT 3PM]  
[\$4.95 AT 4PM]  
[\$5.95 AT 5PM]

## DRAFT COCKTAILS

### vero mango margarita [9]

cimarron blanco tequila  
jalapeño-mango syrup  
cointreau . fresh lime  
[cocktail style: margarita]

sweet .....●..... spiced

### perfect margarita [9]

mi campo reposado  
cointreau . grand marnier  
fresh sweet & sour

classic .....●..... saucy

### ne'w' fashion [8]

rye whiskey . bitters  
simple syrup . orange zest  
luxardo rinse  
[cocktail style: old fashioned]

classic .....●..... contemporary

## SOFTAILS

pub w eote coffee [3.50]

mango no. 5 [4]  
mango puree . lime  
mint . ginger

topo chico [3]

## FEATURE COCKTAILS

### barrel aged manhattan [10]

pub w private selection  
woodford bourbon  
dolin rouge . aromatic bitters

classic .....●..... bold

### abominable snowman\* [9]

weller special reserve  
st elizabeth allspice dram  
vanilla-spiced syrup . cream  
egg white . torched cinnamon

fall spice .....●..... something nice

### ombré\* [10]

old forester 100 . fresh lemon  
simple syrup . egg white  
spiced red wine  
[cocktail style: whiskey sour]

tart .....●..... dry

### fizzo [8]

turmeon blanco vermouth  
bitters . simple syrup  
bubbles

[cocktail style: champagne cocktail]

fizzy .....●..... sweet

### pineapple express [8]

stoli crushed pineapple  
st elizabeth allspice dram  
fresh lime . ginger beer  
[cocktail style: mule]

spice .....●..... tropical

### ranch water [8]

el jimador blanco tequila  
topo chico . lime

refreshing .....●..... trouble



Instagram Facebook @pubw #pubdub pubdub.com

ATTN: Individuals may be at a higher risk for a foodborne illness if the following foods are consumed raw or under cooked: eggs, beef, fish, lamb, milk products, pork, poultry & shell fish\*

# ON TAP

## OKLAHOMIES


kolsch	<b>black mesa mountain boomer</b>	5.2%
pilsner	<b>coop saturday siren</b>	5.5%
lager	<b>lively beerworks amber lager</b>	5.0%
cream ale	<b>vanessa house 401k</b>	5.1%
witbier	<b>stonecloud neon sunshine</b>	5.5%
hefeweizen	<b>coop elevator wheat</b>	5.6%
pale ale	<b>rougtail frickin' hazer beams</b>	5.5%
ipa	<b>stonecloud astrodog</b>	6.0%
ipa	<b>rougtail e.r.w.o.</b>	6.5%
double ipa	<b>elk valley head pains</b>	8.2%
double ipa	<b>vanessa house broken tile</b>	8.4%
amber	<b>405 rbf</b>	6.0%
brown ale	<b>405 brown</b>	5.5%
belgian quad	<b>cabin boys bearded theologian</b>	8.4%
strong ale	<b>coop dnr</b>	10.0%
imperial stout	<b>prairie bomb!</b>	13.0%
wild ale	<b>prairie rainbow sherbet</b>	5.9%

ASK ABOUT OUR  
DRAFT ROTATORS


4 oz. DRAFT POURS  
ARE AVAILABLE



## THE OTHER GUYS

lager	<b>coors light</b>	4.0%
lager	<b>pabst blue ribbon</b>	4.7%
mexican lager	<b>dos xx special lager</b>	4.2%
mexican lager	<b>modelo especial</b>	4.4%
saison	<b>boulevard tank 7</b>	8.5%
tripel	<b>unibroue la fin du monde</b>	9.0%
irish dry stout	<b>guinness draught</b>	4.2%
cider	<b>strongbow</b> 	5.0%

## BOTTLES & CANS

gas station	4.0%	<b>bud light</b>	ipa/pale ale	7.1%	<b>coop f5 [local]</b>
	4.0%	<b>coors light</b>		5.5%	<b>elk valley straight razor [local]</b>
	4.0%	<b>coors original</b>		4.7%	<b>founders all day ipa</b>
	4.0%	<b>micheob ultra</b>			
	4.0%	<b>miller lite</b>			
lager	4.6%	<b>corona extra</b>	amber/stout	5.3%	<b>big sky moose drool</b>
	4.0%	<b>corona premier</b>		9.0%	<b>chimay blue*</b>
	4.6%	<b>kona longboard</b>		8.5%	<b>anthem uroboros [local]</b>
	4.5%	<b>pacifico</b>		6.0%	<b>iron monk milk stout [local]</b>
	5.0%	<b>stella artois</b>			
	4.6%	<b>stonecloud havana affair [local]</b>			
golden	6.9%	<b>anthem golden one [local]</b>	cider/sour/	5.2%	<b>austin eastciders texas honey</b> 
	8.5%	<b>duvel golden</b>	seltzer	6.0%	<b>duchesse de bourgogne</b>
	4.5%	<b>unibroue a tout le monde</b>		5.0%	<b>will &amp; wiley cherry-lime [local]</b>
	7.0%	<b>revolver blood &amp; honey</b>		5.0%	<b>white claw*</b> (rotating flavors)
	5.6%	<b>avery liliko'i kepolo</b>			
	5.4%	<b>blue moon</b>			

\*while supplies last

# HOUSE WINE

**silver gate vineyards [7]**  
cabernet sauvignon . chardonnay

# SPARKLING

**chadon brut [10/36]**  
california brut / napa

**ruffino [15]**  
prosecco [375ml bottle only] / italy

# WHITE

**kendall jackson [10/40]**  
chardonnay / california

**levit8 [11/40]**  
chardonnay / trinity county

**sauvion [10/36]**  
chenin blanc / france

**seaglass [10/34]**  
sauvignon blanc / santa barbara

**relax [10/30]**  
riesling / germany

**chloe [9/32]**  
rosé / california

# RED

**levit8 [13/50]**  
cabernet sauvignon / trinity county

**treana [15/55]**  
cabernet sauvignon / paso robles

**titus [70]**  
cabernet franc [bottle only] / napa valley

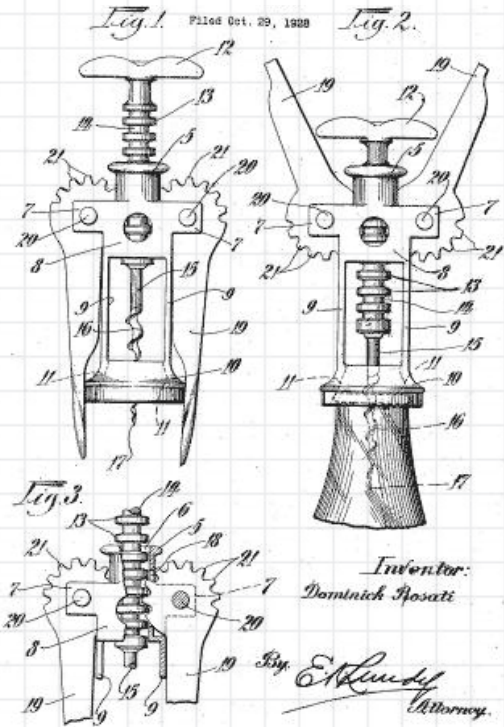
**robert mondavi private selection [11/40]**  
merlot / california

**trapiche [10/34]**  
malbec / mendoza

**wildflower [10/36]**  
pinot noir / france

**dreaming tree [12/40]**  
pinot noir / california

**the biker [10/36]**  
zinfandel / california



"Wine is sunlight, held  
together by water" - GALILEO